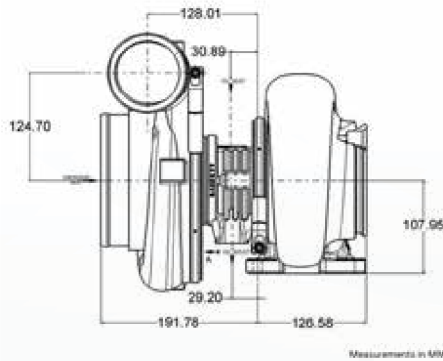


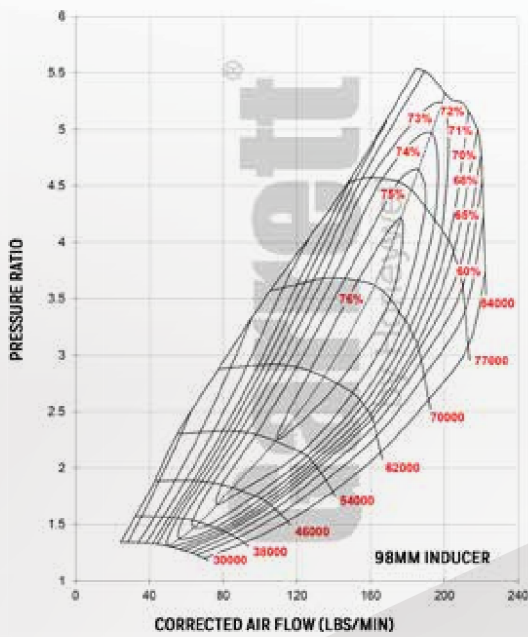
GTX5533R GEN II NEW PRODUCT

Honeywell

Horsepower: 1000 - 2500
Displacement: 3.0L - 12.0L



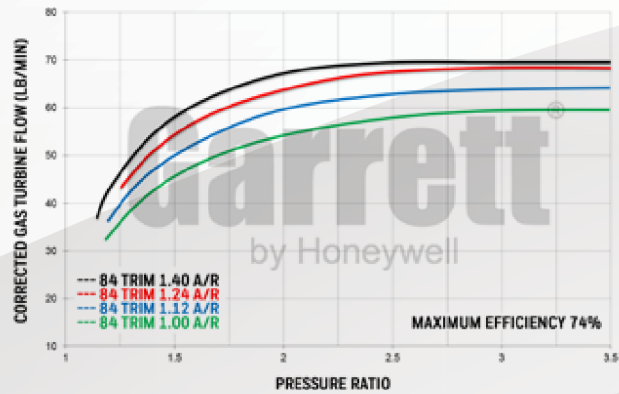
COMPRESSOR MAP



FEATURES:

- ◆ GEN 2 AERODYNAMICS FEATURE INCREASED HORSEPOWER RANGE
- ◆ NEW FULLY-MACHINED SPEED SENSOR PORT. DETAILS ON PG. 56
- ◆ IMPROVED PORTED SHROUD DESIGN FOR SURGE RESISTANCE
- ◆ LIGHT WEIGHT BILLET BACKPLATE
- ◆ SFI SUPER CORE AND TURBINE OPTIONS AVAILABLE
- ◆ V-BAND COMPRESSOR OUTLET CONFIGURATION

EXHAUST FLOW CHART



Super Core Reference Data		Compressor				Turbine		
Super Core PN	CHRA	Inducer	Exducer	Trim	A/R	Inducer	Exducer	Trim
851285-5001S	769210-0049	85mm	133	41	0.88	112	102	84
851285-5002S	769210-0050	88mm	133	44	0.88	112	102	84
851285-5003S	769210-0051	91mm	133	47	0.96	112	102	84
851285-5004S	769210-0052	94mm	133	50	0.96	112	102	84
851285-5005S	769210-0053	98mm	133	54	0.96	112	102	84
851285-5007S	769210-0050	88mm*	133	44	0.88	112	102	84
Notes:		Turbine Kit PN	A/R	Inlet	Outlet	Wastegate	Divided	Trim
Super Core and Turbine Kit Sold Separately		761208-0014	1.00	T6	V-Band	Free Float	N	84
		761208-0015	1.12	T6	V-Band	Free Float	N	84
		761208-0025	1.24	T6	V-Band	Free Float	N	84
		761208-0017	1.40	T6	V-Band	Free Float	N	84
* SFI Certified Turbine Housings		761208-0026	1.00	T6	V-Band	Free Float	N	84
		761208-0042	1.12	T6	V-Band	Free Float	N	84
		761208-0027	1.24	T6	V-Band	Free Float	N	84
		761208-0043	1.40	T6	V-Band	Free Float	N	84
		761208-0044	1.78	T6	V-Band	Free Float	N	84

*851285-5007S SFI CERTIFIED

Garrett
by Honeywell